

# Aesculap® Sterile Containers

Container systems for veterinary medicine



B. Braun Vet Care

# Your advantage in the entire instrument cycle

Aesculap, for more than 40 years a leading supplier of sterile containers



**Economic, Reliable, Ecological**

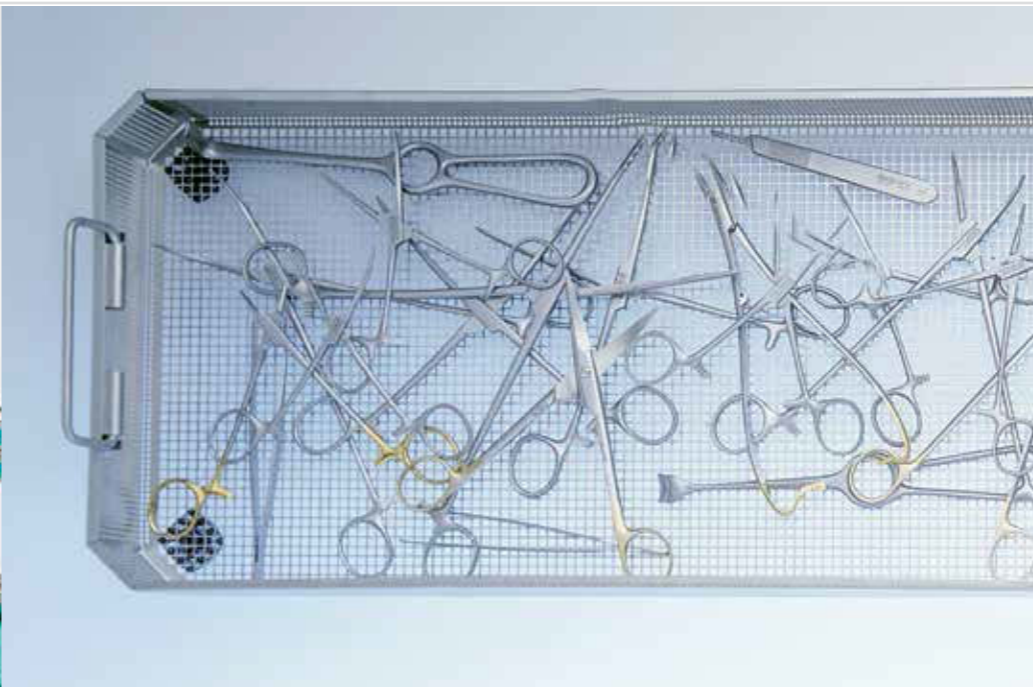
## Sterile Containers in use

Aseptic presentation of your instruments – simple, quick and reliable



## Disposal / Transport to processing facility

Contamination-free transport also for wet removal



Aesculap sterile containers are your reliable partner in the operating room and allow for fast and easy presentation of aseptic instruments. We offer a range of models adapted to your needs:

Mini Sterile Containers | Veterinary Sterile Containers | Normal Sterile Containers

### User benefits

- + Sterile presentation
- + Saves time by providing clearly arranged instruments
- + No need for inspection (e.g. as for tearing in soft packaging)

### User benefits

- + Preservation of instrument sterility
- + Closed transport of used instruments
- + Easy transport from and to the OR
- + No recurring costs for packaging materials
- + Reduction / Elimination of disposal costs for single use materials

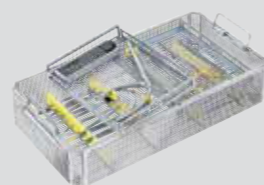
## Our recommendation:



Disinfectant for hand cleaning before surgery | Softa-Man® ViscoRub VET | See page 30



Surgical gloves | Vasco® OP-Sensitive | See page 30



Instrument baskets for a clear and aseptic supply of surgical instruments. | From page 10



Disinfectant and cleaner for instruments, also suitable for wet disposal | Stabimed® | See page 30



For storing and transporting of soiled instruments | Instrument Tray | See page 30



The stainless steel sterile container is designed for use with combined cleaning and disinfecting agents | Disposal Containers | See page 26

## Cleaning and Disinfection

Mechanical reprocessing of loaded instrument baskets



B. Braun Vet Care will also support you with a wide range of hygiene products for your cleaning and disinfection requirements. The sterile containers as well as the trays with the instruments are suitable for mechanical reprocessing.

### User benefits

- + Most instruments can be mechanically reprocessed directly in the tray
- + Simple reprocessing of sterile containers

### Our recommendation:



Disinfectant and cleaner for instruments. Suitable for use in ultrasonic bath. | Stabimed® | See page 30



Robust gloves suitable for cleaning substances | Vasco® Nitril long | See page 30

## Inspection, Care, Packaging

Storing instruments precisely in the instrument tray



B. Braun Vet Care provides additional solutions for protecting your valuable assets now and in the future. The Aesculap Instrument Organization System lets you store your instruments securely with individual positions in the tray.

### User benefits

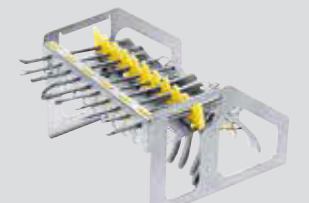
- + Simple checks through fixed positions in the tray
- + Space-saving packing
- + Protects valuable items like optics, endoscopic instruments, etc.
- + Time-saving because everything has its proper place
- + Low costs of use due to reusable packaging



Instrument oil for instruments and motors | Sterilit® Oil | See page 31



You have the choice of permanent and single use filters. The filters can be replaced quickly and easily. | Aesculap Sterile Filters | From page 10



The Aesculap Instrument Organization System allows you to individually organize your sterile containers and instrument trays. | Aesculap InOS® | See page 28

## Sterilization

Veterinary Containers fit into all common mini sterilizers



## Storage and Resupply

Allows a long period of storage



Aesculap sterile containers are suitable for both types of steam sterilization. A sterile container base with perforation is required for gravitational steam sterilization. For the fractionated vacuum process, the perforation of the container base is not required.

Aesculap sterile containers impress with a sterility of six months, stackability and a better overview. Compared to soft packaging, tearing of the package is not an issue. The robust design and state-of-the-art manufacturing methods of Aesculap allow a reliability and consistency of the shape, dimension and integrity of the sterile containers, instrument trays and other system components. In combination with high-grade materials, a long and virtually maintenance-free service life of our sterile containers is made possible.

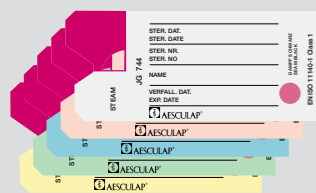
### User benefits

- + Veterinary Containers fit into all common mini sterilizers
- + Solid packaging
- + Lower incidence of re-sterilization due to damaged packages

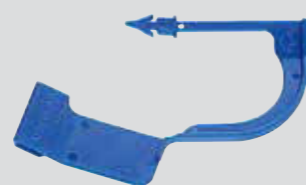
### User benefits

- + For storage up to six months
- + Reliable sterility of instruments
- + Instruments and sets are clearly identifiable
- + Long service life of the sterile containers

### Our recommendation:



Indicator label with sealing function. Process indicator verifies successful sterilization. | Indicator Seals | From page 11



Seals for safeguarding the sterile container against unauthorized opening. | Seals | See page 31



We offer a range of sterile container bases that are tailored to your needs | Sterile Container Bases | From page 10



Printed labels help to identify the sets quickly and provide an overview. Available in various colors. | Identification Labels | From page 11



Sterile containers in various variants and sizes. For storage over extended periods, an outside lid can provide additional barrier from dust. | Basis Outside Lid | From page 10



Shelf cart for transport and storage | Shelf Cart | See page 31

# Veterinary Sterile Containers

The expert for veterinary clinics



## Filter



JK091  
**Permanent filter**, 1000 cleaning and sterilization cycles



JF166  
**Single use paper filter**

## Lid



JN091



## Sterile container complete (lid with base, without instrument tray)



JN092  
Outside dim. 313 x 190 x 46 mm



JN094  
Outside dim. 313 x 190 x 65 mm



JN095  
Outside dim. 313 x 190 x 92 mm



JN096  
Outside dim. 313 x 190 x 130 mm

## Sterile container bases

JN086  
Height 35 mm

JN088  
Height 55 mm

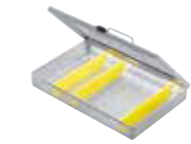
JN089  
Height 82 mm

JN090  
Height 120 mm

## Instrument trays



JG383R  
**Instrument tray with lid handle**, contains 3 instrument racks (JG391), outside dim. 273 x 176 x 30 mm



JG384R  
**Instrument tray with lid handle**, contains 3 instrument racks (JG393) outside dim. 273 x 176 x 41 mm



JG285R  
**Instrument tray with lid** outside dim. 273 x 176 x 60 mm



JF289R Lid      JF282R Instrument tray  
Outside dim. 273 x 176 x 100 mm



JG687  
**Indicator label**

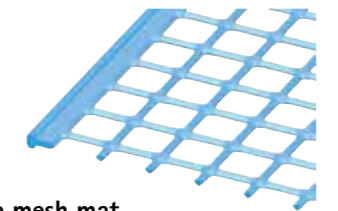


JG645B  
**Identification label** with text, red

## Cut-to-size silicone mats



JF945  
**Silicone positioning mat with perforation**



JF938  
**Silicone mesh mat**

## Your benefit:

- + Continuous annular silicone lid seals allow germ-proof closure of the container
- + Quick and hygienic lid removal in sterile supply
- + The locking levers double as lid handles
- + Integrated springs cause consistent sealing of the sterile container
- + Sterile containers can be stacked for space-saving in the sterile supplies cycle
- + Quick-release filter holder for quick and easy replacement of Aesculap sterile filters

Veterinary sterile containers are especially suited for the provision of sterile supplies in veterinary clinics. Veterinary Sterile Containers fit into all common mini sterilizers.

*Veterinary sterile containers are not suitable for hot-air sterilization!*




# Mini Sterile Containers

For small sets and small instruments




## Filter


**JK091**  
Permanent filter, 1000 cleaning and sterilization cycles



**JF166**  
Single use paper filter



## Lid



**JK170** red  
**JK171** blue  
**JK172** green  
**JK173** gold  
**JK174** silver

## Sterile container bases

**without base perforation**

**JK187**  
Height 30 mm  
(Sterile container base with lid  
Outside dim. 310 x 140 x 40 mm)



**JK188**  
Height 57 mm  
(Sterile container base with lid,  
outside dim. 310 x 140 x 67 mm)

**with base perforation**

**JN187**  
Height 30 mm  
(Sterile container base with lid,  
outside dim. 310 x 140 x 40 mm)




**JN188**  
Height 57 mm  
(Sterile container base with lid,  
outside dim. 310 x 140 x 67 mm)

**JF919R**  
Basket base, fitting for all sterile container bases  
270 x 125 x 4 mm

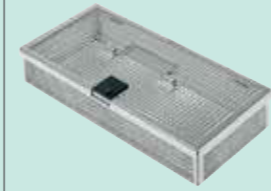



## Instrument trays


**JF149R**  
**Instrument tray**, with lid, for small objects, 2 trays fitting into an Aesculap Mini sterile container, outside dim. 135 x 120 x 47 mm



**JF159R**  
**Instrument tray**, with lid, for micro instruments, outside dim. 267 x 125 x 49 mm



**JF436R**  
**Tray** for arthroscope of Ø 2,7 mm or 4 mm diameter and sheath length 140 - 200 mm, outside dim. 273 x 84 x 41 mm



**JG687**  
**Indicator label**

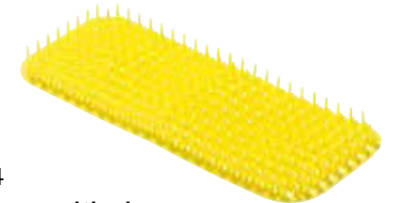


**JG645B**  
**Identification label**  
with text, red




## Inserts for instrument baskets

**JF944**  
**Silicone positioning mat** with perforation



**JF934**  
**Silicone positioning mat**, for Mini container bases



## Your benefit:

- + Mini sterile containers with easy-to-use locking levers
- + Specially designed for small sets

Mini sterile containers were specially developed for small sets (e.g. small-wound treatment) and small, delicate instruments, especially for microsurgery.

*Mini sterile containers are not suitable for hot-air sterilization!*



# One System – two Options

A sterile container base in combination with two different lid systems



## Basis

The basic model made of aluminum, for use with single use sterile filters or Aesculap PTFE permanent filters for 1000 sterilizations.

The Basis model can also be fitted with an additional protective lid. The two lids can only be separated for easier cleaning when the sterile container is opened. For this purpose the inside of the inner lid is equipped with a push-button.

## PrimeLine

PrimeLine features a plastic lid with the integrated permanent germ barrier system PSP (Permanent Sterile Protection System), validated for 5000 cycles.

A filter change is no longer necessary. The special plastic material makes the PrimeLine lids resistant against impact, scratches, deformation and discoloration over the entire service life.

A transparent lid (clear plastic) is available as a special variant.

## Your benefit:

- + The system offers excellent flexibility
- + Two systems with the same container base
- + Using existing Aesculap sterile container bases helps to reduce purchasing costs

The customer can choose between two different systems with one and the same sterile container base.





# 1/1 Normal Sterile Container



## Lid

Basis lid		PrimeLine lid	
JK485 <i>red</i>	JP001 <i>red</i>		
JK486 <i>blue</i>	JP002 <i>blue</i>		
JK489 <i>silver</i>	JP007 <i>transparent</i>		

## Filter

JK090 <b>Permanent filter</b> for Basis version, 1000 cleaning and sterilization cycles	JK095 <b>Single use filter</b> for Basis version, paper	JP050 <b>Permanent filter</b> for PrimeLine 5000 cleaning and sterilization cycles



JG744  
**Indicator seal** with adhesive back and process indicator for steam sterilization

JG785B  
**Identification label** with text, red

## Sterile container bases

without base perforation		with base perforation <i>Not suitable for PrimeLine lids.</i>	
	JK440 Height 90 mm (Container base with Basis lid, outside dim. 592x285x108 mm) (Container base with PrimeLine lid, outside dim. 592x285x112 mm)		JN440 Height 90 mm (Container base with Basis lid, outside dim. 592x285x108 mm)
	JK444 Height 187 mm (Container base with Basis lid outside dim. 592x285x205 mm) (Container base with PrimeLine lid, outside dim. 592x285x209 mm)		JN444 Height 187 mm (Container base with Basis lid, outside dim. 592x285x205 mm)
	JK442 Height 135 mm (Container base with Basis lid outside dim. 592x285x153 mm) (Container base with PrimeLine lid, outside dim. 592x285x157 mm)		JN442 Height 135 mm (Container base with Basis lid, outside dim. 592x285x153 mm)

## Instrument basket and wire tray

	JF915R <b>Wire tray with handles</b> fitting for all sterile container bases, outside dim. 544x257x32 mm
	JG223R + JF227R <b>Closed-meshed instrument basket with small handles,</b> without feet, with lid, fitting for all sterile container bases, outside dim. 544x257x71 mm

## Inserts for instrument baskets

	JF949 <b>Silicone positioning mat with perforation</b>
	JF941 <b>Silicone mesh mat</b>

	JG223R + JF227R <b>Close-meshed basket</b> with small handles. without feet, with lid fitting for container bases JK442/JN442 and JK444/JN444, outside dim. 544 x 257 x 101 mm
--	--

Additional sizes and variants are available.

# 3/4 Normal Sterile Container



## Lid

Basis lid		PrimeLine-Lid	
	JK785 red		JP011 red
	JK787 green		JP013 green
	JK788 gold		JP014 ocher

## Filter

JK090 <b>Permanent filter</b> for Basis version, 1000 cleaning and sterilization cycles	JK095 <b>Single use filter</b> for Basis version, paper	JP050 <b>Permanent filter</b> <b>for PrimeLine</b> 5000 cleaning and sterilization cycles



JG744  
**Indicator seal** with adhesive back and process indicator for steam sterilization

JG785B  
**Identification label**  
with text, red

## Sterile container bases

without base perforation		with base perforation <i>Not suitable for PrimeLine lids.</i>	
	JK740 Height 90 mm (Container base with Basis lid, outside dim. 470x285x108 mm) (Container base with PrimeLine lid, outside dim. 470x285x112 mm)		JN740 Height 90 mm (Container base with Basis lid, outside dim. 470x285x108 mm)
	JK744 Height 187 mm (Container base with Basis lid, outside dim. 470x285x205 mm) (Container base with PrimeLine lid, outside dim. 470x285x209 mm)		JN744 Height 187 mm (Container base with Basis lid, outside dim. 470x285x205 mm)
	JK742 Height 135 mm (Container base with Basis lid, outside dim. 470x285x153 mm) (Container base with PrimeLine lid, outside dim. 470x285x157 mm)		JN742 Height 135 mm (Container base with Basis lid, outside dim. 470x285x153 mm)

## Instrument tray

JG253R + JF257R  
**Closed-meshed instrument basket**  
with small handles, without feet, with lid,  
fitting for all sterile container bases,  
outside dim. 410 x 257 x 71 mm

## Inserts for instrument baskets

JF947  
**Silicone positioning mat with perforation**

JF940  
**Silicone mesh mat**

JG254R + JF257R  
**Close-meshed basket**  
with small handles, without feet, with lid  
fitting for sterile container bases JK742/JN742 and JK744/JN744,  
outside dim. 410 x 257 x 101 mm

Additional sizes and variants are available.

# 1/2 Normal Sterile Container



## Lid

Basis lid		PrimeLine-Lid	
	JK386 blue		JP022 blue
	JK387 green		JP023 green
	JK389 silver		JP025 gray
			JP026 anthracite

## Filter

JK090 <b>Permanent filter</b> For Basis version, 1000 cleaning and sterilization cycles	JK095 <b>Single use filter</b> for Basis version, paper	JP050 <b>Permanent filter</b> for PrimeLine 5000 cleaning and sterilization cycles



JG744  
**Indicator seal** with adhesive back and process indicator for steam sterilization

JG785B  
**Identification label**  
with text, red

## Sterile container bases

without base perforation		with base perforation <i>Not suitable for PrimeLine lids.</i>	
	JK340 Height 90 mm (Container base with Basis lid, outside dim. 300x285x108 mm) (Container base with PrimeLine lid, outside dim. 300x285x112 mm)		JN340 Height 90 mm (Container base with Basis lid, outside dim. 300x285x108 mm)
	JK344 Height 187 mm (Container base with Basis lid, outside dim. 300x285x205 mm) (Container base with PrimeLine lid, outside dim. 300x285x209 mm)		JN344 Height 187 mm (Container base with Basis lid, outside dim. 300x285x205 mm)
	JK342 Height 135 mm (Container base with Basis lid, outside dim. 300x285x153 mm) (Container base with PrimeLine lid, outside dim. 300x285x157 mm)		JN342 Height 135 mm (Container base with Basis lid, outside dim. 300x285x153 mm)

## Instrument basket and wire tray

JG113R + JF117R  
**Close-meshed basket**  
with small handles, without feet, with lid,  
fitting for all container bases,  
outside dim. 247 x 257 x 71 mm

## Inserts for instrument baskets

JF945  
**Silicone positioning mat with perforation**

JF938  
**Silicone mesh mat**

JG114R + JF117R  
**Close-meshed basket**  
with small handles, without feet, with lid  
fitting for bases JK342/JN342 and JK344/JN344,  
outside dim. 247 x 257 x 101 mm

Additional sizes and variants are available.

# Optic Trays

Separate, quick and reliable aseptic supply, independent of instrument sets



## Reprocessing procedure: STEAM

Lid



JK020

Sterile container base



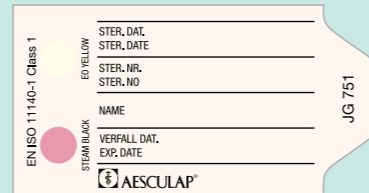
JN021  
(base with lid,  
outside dim. 540 x 152 x 75 mm)

Filter



JK091  
Permanent filter, 1000  
cleaning and sterilization  
cycles

JF166  
Single use paper filter



JG751  
Identification label

## Reprocessing procedure: PLASMA

Lid



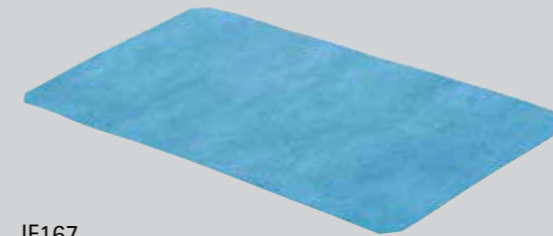
JM020

Container body

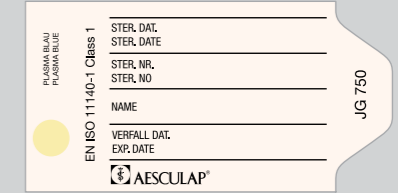


JM021  
(Container base with lid,  
outside dim. 540 x 152 x 75 mm)

Filter



JF167  
Single use filter



JG750  
Identification label

Trays and accessories suitable for both reprocessing methods



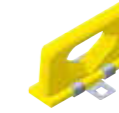
JF435R  
Tray for up to two  
laparoscopic optics  
and one light conducting  
cable  
501 x 134 x 45 mm



JF429R  
Tray prepared for laparoscopic  
optics and one light  
conducting cable  
(incl. 2 x JG367 + 2 x JG368  
+ fixation pins JG300) |  
501 x 134 x 45 mm



JG367  
Eyepiece holder



JG368  
Sleeve holder



JG369  
Support for angled optics

## Your benefit:

- + Separate storage and provision of the scopes
- + Quick aseptic supply independent of instrument sets
- + Protection of sensitive scopes and optical light cables
- + Individual design with the Aesculap organization system.
- + The seal in the lid can be easily replaced if necessary.
- + Protected perforation field

## Suitable sterilization processes

Steam sterilization: Fractionated vacuum process

Low-temperature process: Hydrogen peroxide plasma sterilization  
in STERRAD® 100S, STERRAD® 200, STERRAD® NX,

*Not for gravitational process!*




# XXL Endo Sterile Container


Extra long sterile container for endoscopic instruments



## Filter




JK090  
**Permanent filter**, 1000  
cleaning- and sterilization cycles



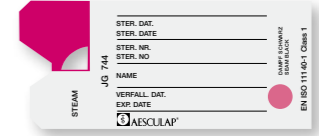
JK095  
**Single use filter**  
Paper

## Lid




JK490





JG744  
**Indicator seal** with adhesive back and process  
indicator for steam sterilization



JG785B  
**Identification label**  
with text, red

## Sterile container bases

**without base perforation**

JK443  
Height 120 mm  
(Container base with lid, outside dim.  
711 x 285 x 138 mm)

**with base perforation**

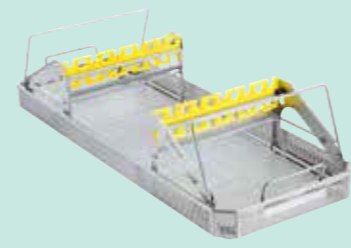
JN443  
Height 120 mm  
(Container base with lid, outside dim.  
711 x 285 x 138 mm)

JN445  
Height 187 mm  
(Container base with lid, outside dim.  
711 x 285 x 205 mm)

## Instrument trays

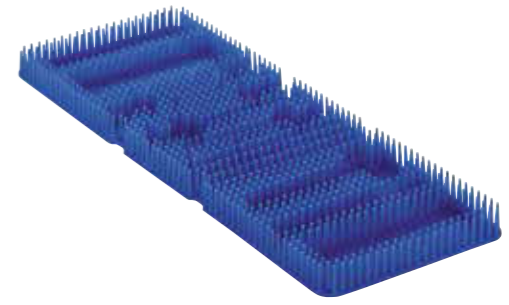


JF232R  
**Basket**, outside dim. 660 x 253 x 56 mm



PL961R  
**Endorack for MIC-instruments long**, consisting of:  
Storage rack, long, perforated tray and silicone mat for  
instruments with shaft length up to 420 mm  
fitting for JN445, outside dim. 660 x 253 x 166 mm

## Insert for trays



JF933  
**Silicone positioning mat for storing of  
accessories**, 610 x 230 x 30 mm

## Your benefit:

- + The instruments can be sterilized as fully assembled units.
- + For endoscopic instruments with sheath length of up to 420 mm

*Caution: The Endo sterile container can be sterilized only in sterilizers of an appropriate chamber size (at least 720 mm effective depth).*

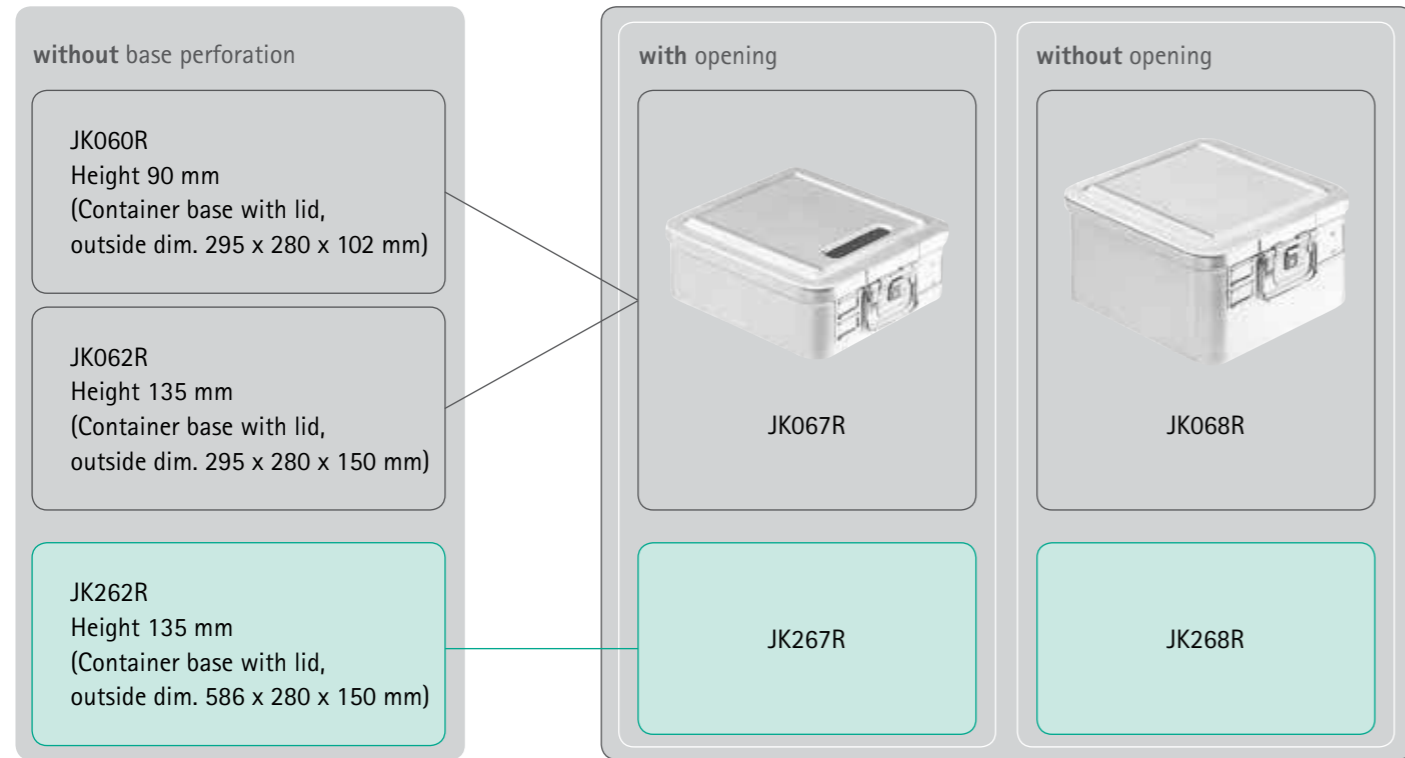


# Disposal Containers

Quick and simple disposal of contaminated instruments



## Sterile container bases



**JG682**  
**Indicator label**  
with process indicator for steam sterilization

**JG645B**  
**Identification label**  
with text, red

## Your benefit:

+ Disposal containers made of stainless steel

Container suitable for wet disposal when using cleaning and disinfecting agent.

# Organizing Elements

Aesculap InOS® – Instrument Organization Ssystem



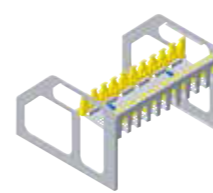
Tray for small objects | 4 mm perforation |  
Outside dim. 145 x 44 x 25 mm | Inner dim.  
140 x 39 x 18 mm | Art. no. JF148R



Mini tray for small objects, incl. positioning  
mat made of silicone | Outside dim. 236 x  
72 x 27 mm | Inner dim. 230 x 66 x 20 mm |  
Art no. JF155R



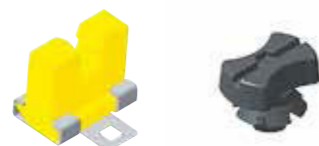
Basket inlay | Outside dim. 196 x 252 x 34 mm |  
Inner dim. 194 x 237 x 33 mm | Art. no. JF110R



Storage frame for shaft instruments |  
240 x 225 x 161 mm | Art. no. JF120R



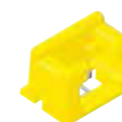
Fixation pin for ring handle instruments |  
Ø 25 mm, Height 29 mm | Art. no. JF346



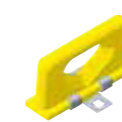
Holder with rail | Ø 8,5 mm  
Art. no. JG342 + JG300



Pivoted holding device for 6 screw application  
instruments (drills, taps, screwdriver) for  
installation in wire trays | 112 x 23 x 45 mm |  
Art. no JG697R



Eyepiece holder | Art. no. JG367



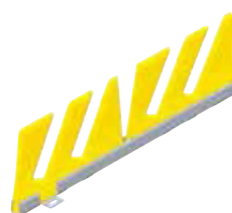
Shaft holder | Art. no. JG368



Support for angled optics | Art. no. JG369



Instrument rack | 160 x 40 mm |  
Art. no. JG309



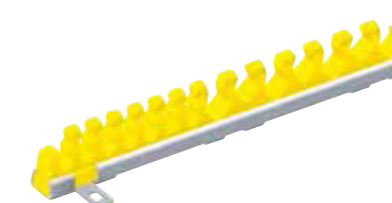
Support for spring type micro instruments  
handle end | 120 x 40 mm | Art. no. JG328



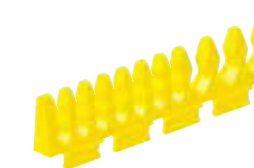
Positioning rack | 240 x 30 mm |  
Art. no. JG309



Instrument rack | 120 x 40 mm  
Art. no. JG304



Instrument rack | 160 x 23 mm  
Art. no. JG397



Instrument rack for trays with 30 mm height |  
158 x 22 mm | Art. no. JG391

Further organizing elements available.

# Cleaning-, Hygiene- and Skin Care Products

## Consumables



Astron doctors cap green | Art. no. 6111500  
 Univers doctors cap green | Art. no. 6111501  
 Adretta Comfort bouffant cap green | Art. no. 6111502  
 Adretta Basic bouffant cap blue | Art. no. 6111503  
 Adretta Basic bouffant cap green | Art. no. 6111504



Visma tie-on | 50 pcs | Art. no. 6120601  
 Visma ear-loop | 50 pcs | Art. no. 6120600



Softa-Man ViscoRub VET | Oval bottle  
 1000 ml | Art. no. 19622



Helimatic Cleaner neutral | 5 liter canister |  
 pH-neutral cleaner | Art. no. 18519



Helimatic Desinfectant | 5 liter canister |  
 Liquid disinfecting agent for chemo-thermal  
 reprocessing | Art. no. 18562



Sterilit Aesculap instrument oil |  
 for lubrication of links, locks, etc. prior to  
 sterilization | Art. no. JG598



Vasco Sensitive surgical gloves size 6.0 | Art. no. 6081002  
 Vasco Sensitive surgical gloves size 6.5 | Art. no. 6081010  
 Vasco Sensitive surgical gloves size 7.0 | Art. no. 6081029  
 Vasco Sensitive surgical gloves size 7.5 | Art. no. 6081037  
 Vasco Sensitive surgical gloves size 8.0 | Art. no. 6081045  
 Vasco Sensitive surgical gloves size 8.5 | Art. no. 6081053  
 Vasco Sensitive surgical gloves size 9.0 | Art. no. 6081060



Vasco Nitril long | XS | Art. no. 9205900  
 Vasco Nitril long | S | Art. no. 9205918  
 Vasco Nitril long | M | Art. no. 9205926  
 Vasco Nitril long | L | Art. no. 9205934  
 Vasco Nitril long | XL | Art. no. 9205942



Meliseptol Foam V | Foam for fast acting  
 disinfection for medical devices and small  
 surfaces | Spray bottle 750 ml |  
 Art. no. 19596



Sterilit Aesculap instrument oil spray |  
 for lubrication of links, locks, etc. prior to  
 sterilization | including 2 spraying nozzles |  
 Art. no. JG600



Eloxal cleaner for cleaning and care of  
 container surfaces | Art. no. JG601



Seal | 100 pcs | Art. no. JG738



Instrument tray | 2 liter |  
 Art. no. 3908259



Stabimed Bottle | 1000 ml | Cleaner- and  
 disinfectant suitable for use in ultrasonic bath |  
 Art. no. 18778



Helipur H plus N | Disinfectant for flexible  
 and rigid endoscopes, suitable for use in  
 ultrasonic bath | Oval bottle 1000 ml |  
 Art. no. 3891950



Shelf cart | 1 segment for 3 sterile  
 containers up to 280 mm high | 2 segments  
 for 6 sterile containers up to 165 mm high |  
 Art. no. JF803



## Wish list

List your medical supplies requirements here

Enter the desired quantity in the blank field.

### Veterinary Sterile Containers

#### Container complete

- JN092
- JN094
- JN095
- JN096

#### Lid

- JN091

#### Sterile container base

- JN086 | 35 mm
- JN088 | 55 mm
- JN089 | 82 mm
- JN090 | 120 mm

#### Instrument tray

- JG383R | with 3 instrument racks, with lid handle
- JG384R | with lid handle + 3 instrument racks
- JG285R | with lid
- JF282R | Instrument tray
- JF289R | Lid

### Mini Sterile Containers

#### Lid

- JK170 | red
- JK171 | blue
- JK172 | green
- JK173 | gold
- JK174 | silver

#### Sterile container base

- JK187 | without base perf., 30 mm
- JK188 | without base perf., 57 mm
- JK187 | with base perf., 30 mm
- JK188 | with base perf., 57 mm

#### Instrument tray

- JF149R | with lid for small objects, 2 trays fitting
- JF159R | with lid for micro instruments
- JF436R | for arthroscope sheath Ø 2,7 mm/4mm + L. 140 - 200 mm
- JF919R | Basket base fitting all sterile container bases

### 1/1 Normal Sterile Container

#### Lid

- JK485 | red (B)
- JK486 | blue (B)
- JK489 | silver (B)
- JP001 | red (P)
- JP002 | blue (P)
- JP007 | transp. (P)

#### Sterile container base

- JK442 | without base perf., 90 mm
- JK442 | without base perf., 135 mm
- JK444 | without base perf., 187 mm
- JN440\* | with base perf., 90 mm
- JN442\* | with base perf., 135 mm
- JN444\* | with base perf., 187 mm

#### Instrument tray

- JF915R | Wire tray with handles fitting all sterile container bases
- JG223R | Closed-meshed instrument tray with small handles, without feet, fitting all Sterile Container bases
- JF227R | Lid for JG223R
- JG224R | Closed-meshed instrument basket with small handles, without feet
- JF227R | Lid for JG224R

### 3/4 Normal Sterile Container

#### Lid

- JK785 | red (B)
- JK787 | green (B)
- JK788 | gold (B)
- JP011 | red (P)
- JP013 | green (P)
- JP014 | ocher (P)

#### Sterile container base

- JK740 | without base perf., 90 mm
- JK742 | without base perf., 135 mm
- JK444 | without base perf., 187 mm
- JN740\* | with base perf., 90 mm
- JN442\* | with base perf., 135 mm
- JN744\* | with base perf., 187 mm

#### Instrument tray

- JG253R | Closed-meshed instrument tray with small handles, without feet, fitting for all container bases
- JF257R | Lid for JG253R
- JG254R | Closed-meshed instrument tray w/ small handles, w/o. feet
- JF257R | Lid for JG254R

### 1/2 Normal Sterile Container

#### Lid

- JK386 | blue (B)
- JK387 | green (B)
- JK389 | silver (B)
- JP022 | blue (P)
- JP023 | green (P)
- JP025 | silver (P)
- JP026 | anthracite (P)

#### Container base

- JK340 | without base perf., 90 mm
- JK342 | without base perf., 135 mm
- JK344 | without base perf., 187 mm
- JN340\* | with base perf., 90 mm
- JN342\* | with base perf., 135 mm
- JN344\* | with base perf., 187 mm

#### Instrument tray

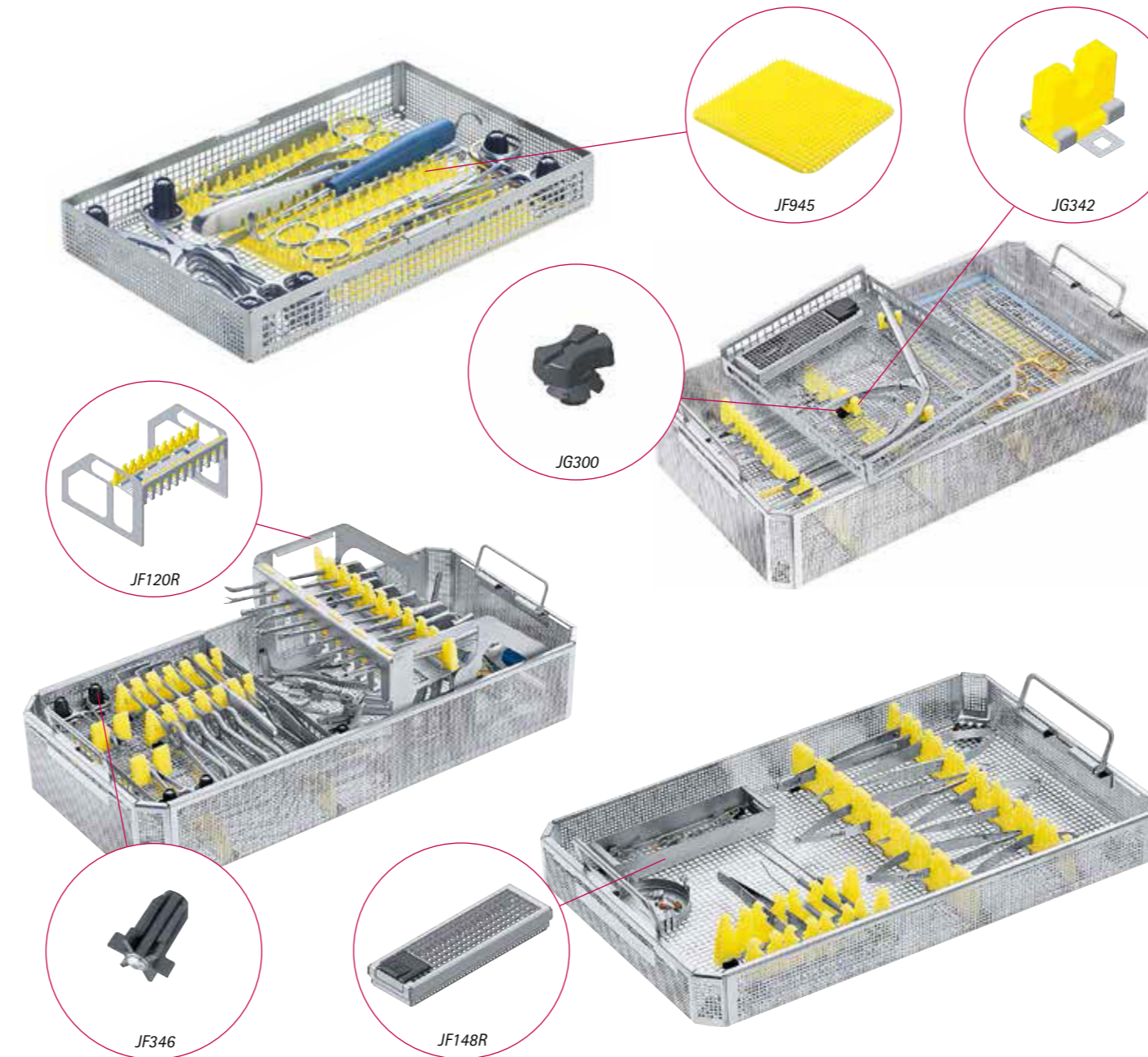
- JG113R | Closed-meshed instrument basket with small handles, without feet, fitting for all container bases
- JF117R | Lid for JG113R
- JG114R | Closed-meshed instrument basket with small handles, without feet
- JF177R | Lid for JG114R

Green marked baskets fit into the green marked sterile container bases of the same system.

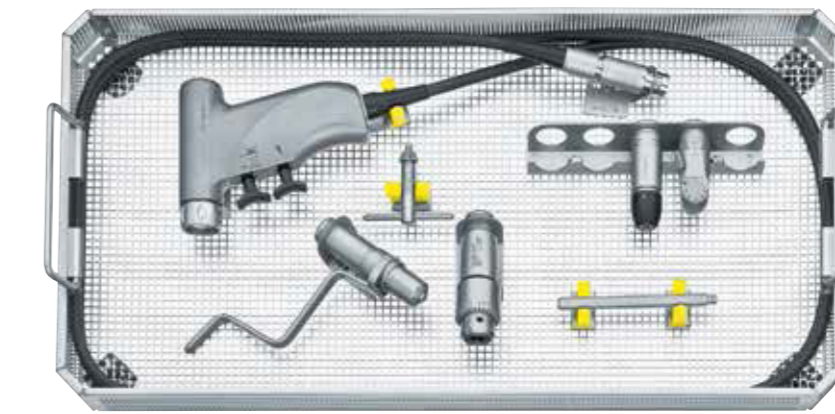
\* Not suitable for PrimeLine lid. (P) | Basis-lid (B)

## Examples of use for storage and organization

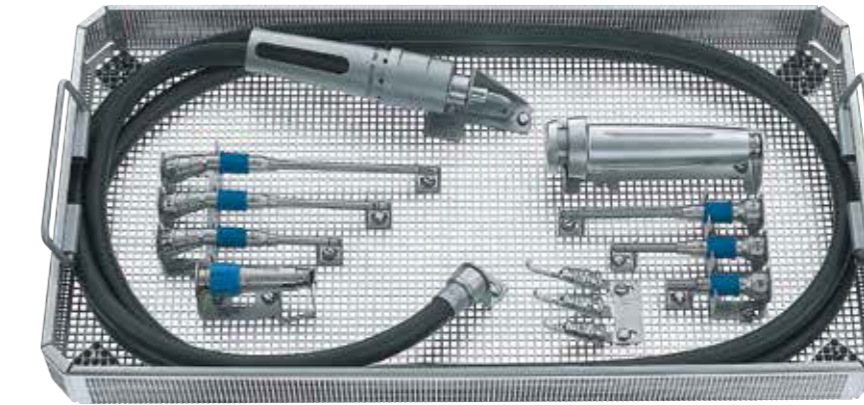
For particularly valuable or sensitive inventory



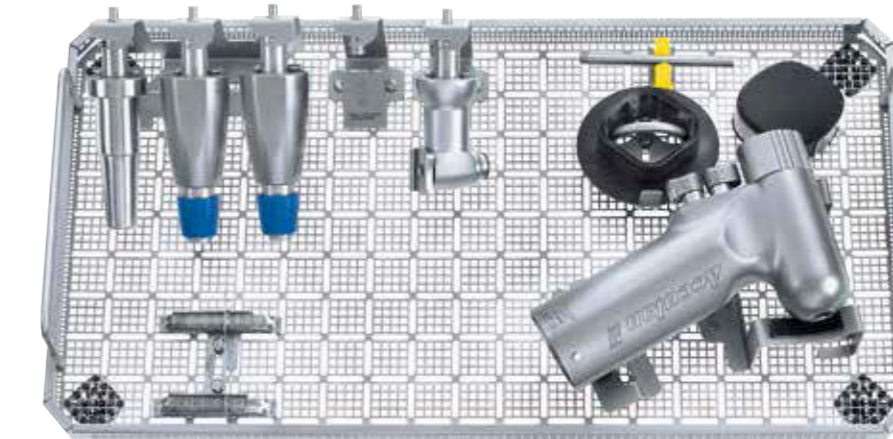
### Motor system trays



### Optic tray



### Endoscopic instruments



### Microsurgical instruments

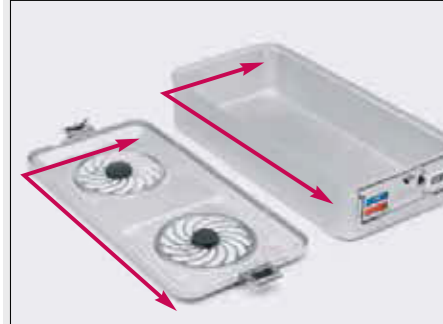


# Inspection of all sterile container components

Before each use, check visually for damage and correct functioning.



## 1. Metal parts not deformed



- Check container base for dents, especially rim of base
- Aluminium lid not warped

## 2. Check filter retainers



- Filter retainers must be prestressed and have full surface contact at the edge.



- Locating pin for filter retention plate in lid must not be loose

## 5. Filter inspection



- Filters undamaged (no kinks, holes, rakes or crevices)



- Remove cover for inspection (remove anticlockwise, replace clockwise)
- Primeline filters undamaged (no kinks, holes, cracks or crevices)
- Leave filter in cartridge during inspection



## 7. Correct closure of lid



- Locking mechanism of lid snaps audibly into place on the base counterpart

## 8. Carrying handles undamaged



- Carrying handles are intact and show no visible damage

## 9. Flawless sterile containers



- Only use sterile containers in flawless condition
- If components are damaged, replace with original spare parts or repair immediately



- Filter retainer snaps audibly into position

## 3. Intactness of seals



- Seals are present and intact
- No cracks, fractures etc.

## 4. Flawless plastic parts



- No cracks or visible damage to plastic parts, no loose parts



- Ensure that the triangles are aligned together (locked position)

## 6. Locking mechanism fully functional



- The locking mechanism must be fully functional and show no damage
- Lubricate the locking mechanism hinges with Sterilit\* from time to time



## 10. Labelling and sealing



- Sterile container closed
- Either sealed with production label, or production label and plastic seal attached



# Wish list

List your medical supplies requirements here

Enter the desired quantity in the blank field.

## Optic trays

- Lid**
- JK020 | Vacuum process
  - JM020 | Gas plasma sterilization

- Sterile container base**
- JN021 | Vacuum process
  - JM021 | Gas plasma sterilization

- Instrument tray suitable for both reprocessing methods**
- JG435R | for two laparoscopic optics + light conducting cable
  - JG429R | prepared for two laparoscopic optics + light conducting cable

## XXL Endo Sterile Container

- Lid**
- JK490

- Sterile container base**
- JK443 | without base perf., 120 mm
  - JN443\* | with base perf., 120 mm
  - JN445\* | with base perf., 187 mm

- Instrument basket**
- JF232R
  - PL961R | Endorack für MIS instruments long, with storage rack, perforated tray + silicone mat with shaft length up to 420 mm, fitting for JN445

## Disposal Containers

- Lid**
- JK067R | with opening
  - JK067R | with opening

- Container base**
- JK268R | without opening
  - JK268R | without opening
  - JK060R | 90 mm
  - JK062R | 135 mm
  - JK262R | 135 mm

## Accessories

- Permanent filters**
- JK091 | Pack of 2
  - JK090 | 1000
  - JP050 | 5000 (P)
- Single use filters**
- JF166 | Paper 100 pcs
  - JF167 | 100 pcs
  - JF166 | Paper 100 pcs

- Identification labels**
- JG645R | with text
  - JG785R | with text
- Indicator labels**
- JG687 | 100 pcs
  - JG744 | with process indicator for steam sterilization, 1000 pcs
  - JG750 | 100 pcs
  - JG751 | 100 pcs
  - JG682 | 1000 pcs

- Silicone mats**
- JF933 | Nubs for storing of accessories
  - JF934 | Nubs for mini container bodies
  - JF938 | Mesh 1/2
  - JF941 | Mesh 1/1
  - JF940 | Mesh 3/4
  - JF944 | nubs with perf.
  - JF945 | Nubs with perf., 1/2
  - JF949 | Nubs with perf., 1/1
  - JF947 | Nubs with perf., 3/4

## Instrument Tray Organization

- Mini trays + Inlays**
- JF148R | Tray for small objects
  - JF155R | Mini tray for small objects, incl. silicone positioning mat
  - JF110R | Tray inlay, 196 x 252 x 34 mm

- Storage elements**
- JG697R | Holder for screw application instr.
  - JF120R | Storage frame for shaft instr.

- Holders for optic**
- JG367 | Eyepiece holder
  - JG368 | Sheath holder
  - JG369 | Support for angled optic

- Holders**
- JF346 | for ring handle instruments
  - JG342 | Holder with rail
  - JG300 | Fixation pin for JG342

- Instrument racks**
- JG309 | 160 x 40 mm
  - JG328 | for micro instruments with spring type handle end, 120x40 mm
  - JG370 | Divider rack 240 x 30 mm
  - JG391 | for baskets with 30 mm height, 158 x 22 mm
  - JG304
  - JG397

Name of practice / clinic

Customer name

Street

ZIP code, City

Telephone / E-Mail

Further requests/comments

The product brands "SoftaMan", "Vasco", "Stabimed", "SoftaMan", "Visma", "Helimatic", "Meliseptol" and "Helipur" are registered trademarks of B. Braun Melsungen AG. The main product trademark "Aesculap" and the product trademarks "Sterilit" and "Aesculap InOS" are registered trademarks of Aesculap AG.

Subject to technical changes. This brochure may only be used for the exclusive purpose of obtaining information about our products. Reproduction in any form partial or otherwise is not permitted.